

**PLEASE CHECK WWW.MOLEX.COM FOR LATEST PART INFORMATION**

**Part Number:** [0424002001](#)  
**Status:** **Active**  
**Overview:** [flat blade](#)  
**Description:** Flat Blade Appliance Defrost Timer Connector, 4 Circuit

**Documents:**

[3D Model](#) [RoHS Certificate of Compliance \(PDF\)](#)  
[Drawing \(PDF\)](#)

**Agency Certification**

CSA LR19980  
 UL E29179

**General**

Product Family Crimp Housings  
 Series [42400](#)  
 Comments Includes Round Polarizing Peg  
 Overview [flat blade](#)  
 Product Name Flat Blade

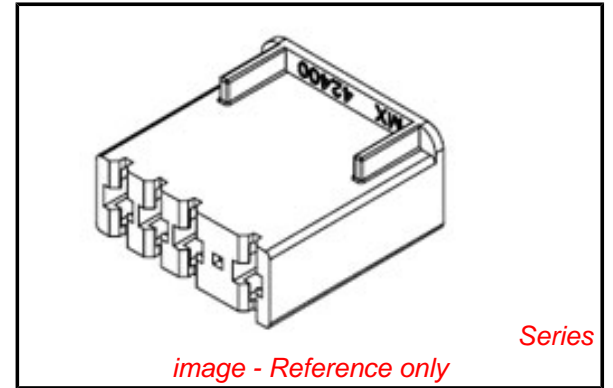
**Physical**

Circuits (maximum) 4  
 Color - Resin Natural  
 Flammability 94V-2  
 Gender Female  
 Glow-Wire Compliant No  
 Keying to Mating Part Yes  
 Lock to Mating Part None  
 Material - Resin Nylon  
 Number of Rows 1  
 Packaging Type Bag  
 Panel Mount No  
 Pitch - Mating Interface (in) 0.219 In, 0.379 In  
 Pitch - Mating Interface (mm) 5.56 mm, 9.63 mm  
 Pitch - Term. Interface (in) 0.219 In, 0.379 In  
 Pitch - Term. Interface (mm) 5.56 mm, 9.63 mm  
 Stackable No  
 Temperature Range - Operating -40°C to +75°C

**Material Info**

**Reference - Drawing Numbers**

Sales Drawing SD-42400-\*00\*



**EU RoHS**

**ELV and RoHS  
 Compliant**  
**REACH SVHC  
 Contains SVHC: No**  
**Halogen-Free  
 Status  
 Not Reviewed**

**China RoHS**



**Need more information on product  
 environmental compliance?**

Email [productcompliance@molex.com](mailto:productcompliance@molex.com)  
 For a multiple part number RoHS Certificate of  
 Compliance, [click here](#)

Please visit the [Contact Us](#) section for any  
 non-product compliance questions.

**Search Parts in this Series**

[42400Series](#)

**Mates With**

Appliance Timer

**Use With**

[41422](#)

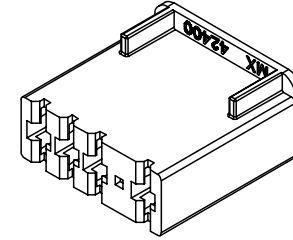
13 12 11 10 9 8 7 6 5 4 3 2 1

J  
I  
H  
G  
F  
E  
D  
C  
B  
A

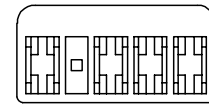
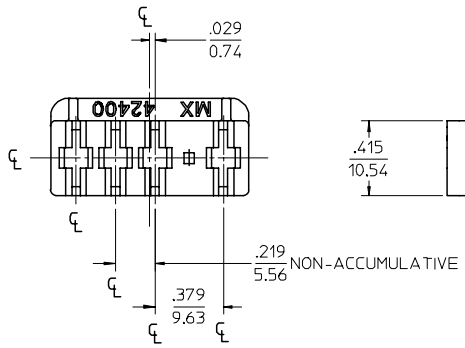
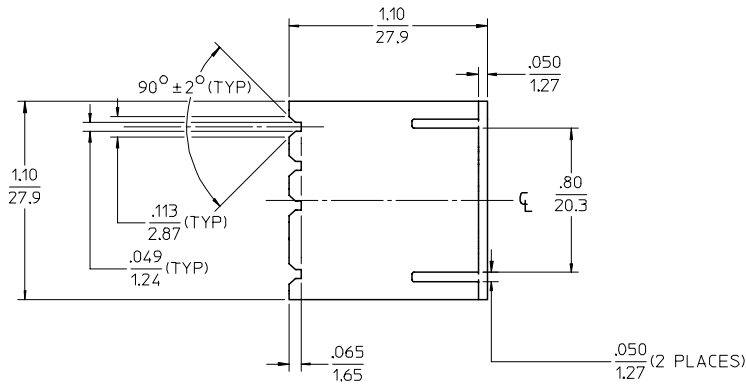
J  
I  
H  
G  
F  
E  
D  
C  
B  
A

NOTES:

1. MATERIAL: SEE CHART ON SHEET 3
2. FINISH: NONE
3. PRODUCT SPECIFICATION: NONE
4. HOUSING MATES TO .032±.0005/0.81±0.013 THICK BY .250/6.35 WIDE BY .31/7.9 LONG SPADE TERMINALS. MAXIMUM LENGTH OF SPADE TERMINALS TO BE .450/11.43.
5. USE TERMINALS: ENG. NO. 41422-3\* & -5\*.
6. PARTS CONFORM TO CLASS 'B' REQUIREMENTS OF COSMETIC SPECIFICATION PS-45499-002.



42400-000\*



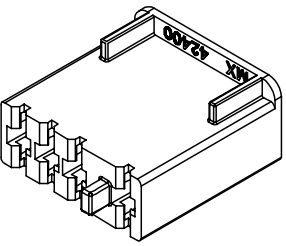
<b>ANGLE TOLERANCE</b> FCC NO: UCP2008-1155 2007/11/20 DRWNL:LSCHM1DT 2007/11/20 CHKD:ADERR 2007/11/20 APPR:FSM TH 2007/11/20 REVISION DESCRIPTION	<b>QUALITY SYMBOLS</b> = 0 = 0.01	<b>GENERAL TOLERANCES (UNLESS SPECIFIED)</b>		<b>DIMENSION STYLE</b> IN/MM	<b>SCALE</b> 2:1	<b>DESIGN UNITS</b> INCH	<b>THIRD ANGLE PROJECTION</b>																											
		<table border="1"> <thead> <tr> <th></th> <th>mm</th> <th>INCH</th> </tr> </thead> <tbody> <tr> <td>4 PLACES</td> <td>± .010</td> <td>± .0004</td> </tr> <tr> <td>3 PLACES</td> <td>± .014</td> <td>± .0005</td> </tr> <tr> <td>2 PLACES</td> <td>± .025</td> <td>± .0010</td> </tr> <tr> <td>1 PLACE</td> <td>± 0.35</td> <td>± .0138</td> </tr> </tbody> </table>		mm	INCH	4 PLACES	± .010	± .0004	3 PLACES	± .014	± .0005	2 PLACES	± .025	± .0010	1 PLACE	± 0.35	± .0138	<table border="1"> <thead> <tr> <th>DRAWN BY</th> <th>DATE</th> </tr> </thead> <tbody> <tr> <td>MAB</td> <td>1995/06/09</td> </tr> <tr> <th>CHECKED BY</th> <th>DATE</th> </tr> <tr> <td>KBP</td> <td>1995/06/09</td> </tr> <tr> <th>APPROVED BY</th> <th>DATE</th> </tr> <tr> <td>RAS</td> <td>1995/06/09</td> </tr> </tbody> </table>	DRAWN BY	DATE	MAB	1995/06/09	CHECKED BY	DATE	KBP	1995/06/09	APPROVED BY	DATE	RAS	1995/06/09	<b>TITLE</b> 4 CIRCUIT CONNECTOR HOUSING			
		mm	INCH																															
	4 PLACES	± .010	± .0004																															
3 PLACES	± .014	± .0005																																
2 PLACES	± .025	± .0010																																
1 PLACE	± 0.35	± .0138																																
DRAWN BY	DATE																																	
MAB	1995/06/09																																	
CHECKED BY	DATE																																	
KBP	1995/06/09																																	
APPROVED BY	DATE																																	
RAS	1995/06/09																																	
	<b>DRAFT WHERE APPLICABLE MUST REMAIN WITHIN DIMENSIONS</b>	<b>SEE CHART</b>	<b>MATERIAL NO.</b> SD-42400-*00*		<b>DOCUMENT NO.</b> SD-42400-*00*	<b>SHEET NO.</b> 1 OF 3																												

12 11 10 9 8 7 6 5 4 3 2 1

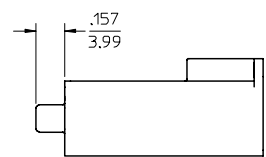
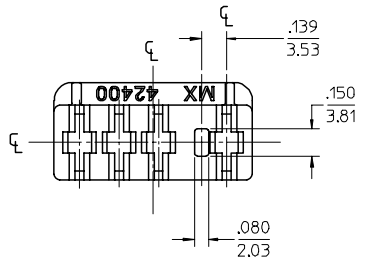
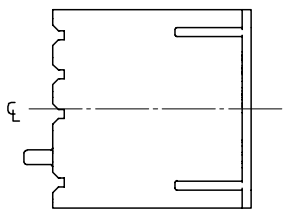
13 12 11 10 9 8 7 6 5 4 3 2 1

J  
I  
H  
G  
F  
E  
D  
C  
B  
A

J  
I  
H  
G  
F  
E  
D  
C  
B  
A



42400-100\*

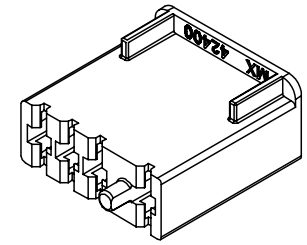
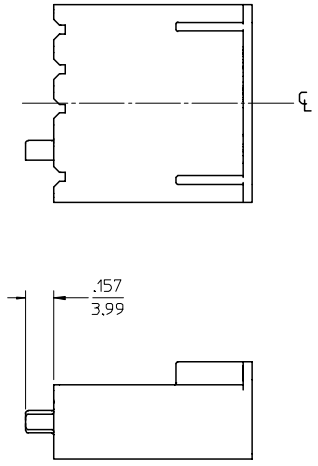
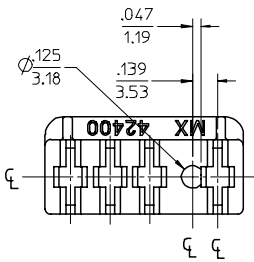


42400-100\*  
SEE SHEET 1 FOR DIMENSIONS NOT SHOWN

SEE SHEET 1 FC NO: UCP2008-1155 DRAWN: LSCHMIDT 2007/11/20 CHKD: ADERR 2007/11/20 APPR: FSM TH 2007/11/20 REV:	QUALITY SYMBOLS ▽=0 ▽=0	GENERAL TOLERANCES (UNLESS SPECIFIED)		DIMENSION STYLE IN/MM		SCALE 2:1	DESIGN UNITS INCH	THIRD ANGLE PROJECTION			
		4 PLACES ± --- ± ---	3 PLACES ± --- ± .010	DRAWN BY MAB	DATE 1995/06/09	TITLE 4 CIRCUIT CONNECTOR HOUSING					
		2 PLACES ± 0.25 ± .014	1 PLACE ± 0.35 ± ---	CHECKED BY KBP	DATE 1995/06/09	APPROVED BY RAS					
		ANGULAR ± 1 °		MATERIAL NO. SEE CHART		DOCUMENT NO. SD-42400-*00*		SHEET NO. 2 OF 3			
DRAFT WHERE APPLICABLE MUST REMAIN WITHIN DIMENSIONS				THIS DRAWING CONTAINS INFORMATION THAT IS PROPRIETARY TO MOLEX INCORPORATED AND SHOULD NOT BE USED WITHOUT WRITTEN PERMISSION							

12 11 10 9 8 7 6 5 4 3 2 1

ENG. NUMBER	E.D.P. NUMBER	NUMBER CIRCUITS	MATERIAL	COLOR	COMMENTS
42400-0001	06-02-3042	4	UL94 V-2 NYLON	NATURAL	NO PEG (SHT.1)
42400-0003	42400-0003	4	UL94 V-0 NYLON	WHITE	NO PEG (SHT.1)
42400-0004	42400-0004	4	UL94 V-0 NYLON	BLACK	NO PEG (SHT.1)
42400-1003	42400-1003	4	UL94 V-0 NYLON	WHITE	SQUARE PEG (SHT.2)
42400-1004	42400-1004	4	UL94 V-0 NYLON	BLACK	SQUARE PEG (SHT.2)
42400-2001	42400-2001	4	UL94 V-2 NYLON	NATURAL	ROUND PEG (SHT.3)
42400-2003	42400-2003	4	UL94 V-0 NYLON	WHITE	ROUND PEG (SHT.3)
42400-2004	42400-2004	4	UL94 V-0 NYLON	BLACK	ROUND PEG (SHT.3)



42400-200\*

42400-200\*  
SEE SHEET 1 FOR DIMENSIONS NOT SHOWN

SEE SHEET 1 FCC NO: UCP2008-1155 DRAWN: LSCHMIDT CHKD: ADERR APPR: FSM TH REV:	QUALITY SYMBOLS ▽=0 ▽=0	GENERAL TOLERANCES (UNLESS SPECIFIED)		DIMENSION STYLE IN/MM		SCALE 2:1	DESIGN UNITS INCH	THIRD ANGLE PROJECTION	
		4 PLACES ± .010 ± .010	3 PLACES ± .010 ± .010	2 PLACES ± 0.25 ± .014	1 PLACE ± 0.35 ± .014	ANGULAR ± 1 °	DRAWN BY MAB	DATE 1995/06/09	TITLE 4 CIRCUIT CONNECTOR HOUSING
		DRAFT WHERE APPLICABLE MUST REMAIN WITHIN DIMENSIONS		SEE CHART		APPROVED BY RAS	DATE 1995/06/09	MOLEX INCORPORATED	
		MATERIAL NO.		DOCUMENT NO.		SHEET NO.		3 OF 3	